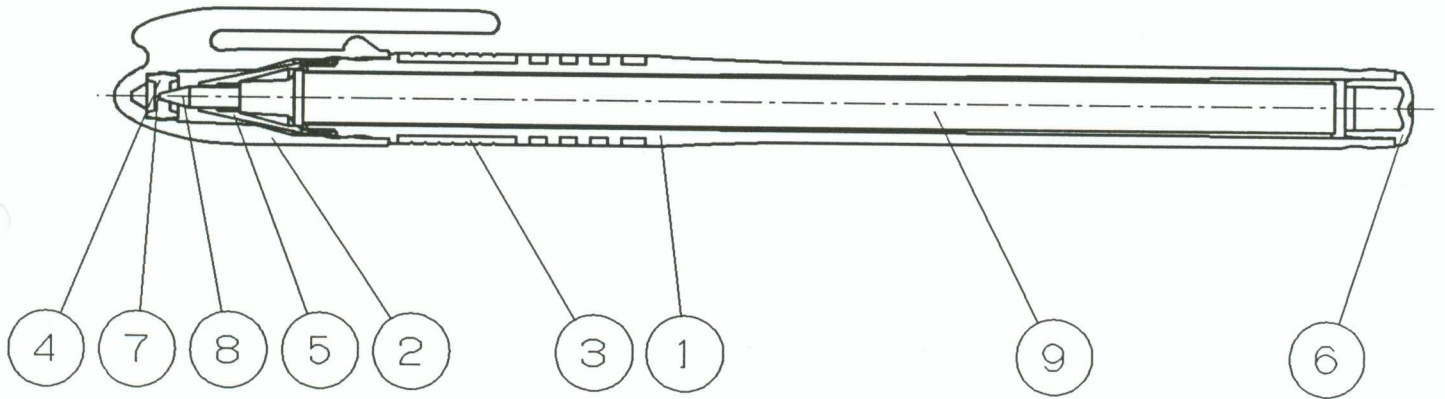


# BLGP-G1 Specifications

## (1) Merits

1. The gel ink which bring clear writing applications is used,
2. Shortened sized body for better portability,
3. Comfortable rubberised grip with see-through windows where residual quantity of the ink could be seen is fixed on the body of pen,



## (2) Parts and materials

NO	Parts	Materials	
1	Barrel	AS resin	φ0,5mm : Transparent φ0,7mm : Tinted ink color
2	Cap	Polyethylene terephthalate	
3	Rubber grip	Elastomer	Ink color
4	Rubber seal	Synthetic rubber	
5	Mouth piece	Brass	Nickel plated
6	Tail plug	Polypropylene	Ink color
7	Ball on tip	Tungsten carbide alloy	φ0,5mm φ0,7mm
8	Holder	Stainless steel	
9	Refill		BLS-G1-5/7
	Ink		Gel type ink (1,2g)

Colors: Black, Red, Blue, Green

## (3) Performance

	φ0,5mm	φ0,7mm
Write-out distance	850m	700m
Width of line	0,3mm	0,4mm